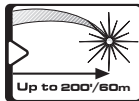
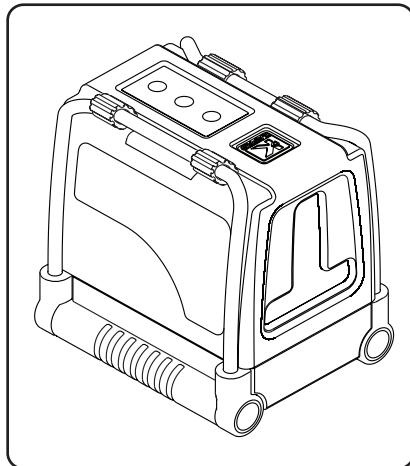




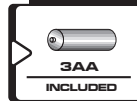
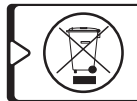
Prolaser[®] Plus

Model No. 872 GREEN

User Manual
Manual del usuario
Manuel d'utilisation
Руководство по эксплуатации



Up to 200/60m





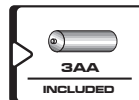
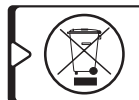
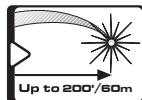
EN

Thank you for purchasing Kapro's 872 GREEN Prolaser® Plus. You now own one of the most advanced laser tools available. This manual will show you how to get the most out of your laser tool.

APPLICATIONS

The 872 GREEN Prolaser® Plus is laser level with green diodes. This laser innovatively designed for a very broad range of professional and DIY jobs, including:

- Aligning tiles, marble, cabinets, borders, moldings and trimmings
- Marking lay out for doors, windows, rails, stairs, fences gates, decks and pergolas installation.
- All types of DIY jobs, including hanging shelves, hanging hooks pictures, curtains and more



NOTE

Keep this user manual for future reference.

CONTENTS

• Features	4
• Safety instructions	5-6
• Battery installation & Safety	7-8
• Overview	9
• Operating instructions	10-12
• Maintenance	13
• Field calibration test	14-19
• Specifications	20
• Warranty	21



FEATURES

- This laser tool is automatically determines the horizontal and the vertical plans
- The laser projects intersecting horizontal and vertical lines
- Self-level in automatic mode when the laser is positioned within its self-leveling range.
- Visual and audible “out of leveling range” warning
- The max. detectable range with detector is 60m (200’).
- Manual mode allows angular layout/markings
- Strong and adjustable metal folding legs allow extreme angles mounting and height adjustment
- Locking mechanism to protect the pendulum during transportation.
- 1/4" tripod adaptor
- Shock resistant rubber casing
- Compact size – fits in your toolbox

NOTE

This device contains precision components that are sensitive to external shock, impact or drop that may compromise its functionality – handle with care to maintain its accuracy.

SAFETY INSTRUCTIONS



WARNING

**This product is emitting radiation that is classified
As class II according to EN 60825 -1**

The laser radiation can cause serious eye injury



- Do not stare into the laser beam
- Do not position the laser beam so that it unintentionally blinds you or others.
- Do not operate the laser level near children or let children operate the laser level.
- Do not look into a laser beam using magnifying optical devices such as binoculars or a telescope, as this will increase the level of eye injury.



WARNING: This product contains lead in solder and certain Electrical parts contain chemicals which are known to the State of California to cause cancer, birth defects or other Reproductive harm.

(California Health & Safety Code Section 25249.6- Proposition 65)



NOTE

The green goggles are intended to enhance the visibility of the Laser beam. They will not protect your eyes against laser radiation.



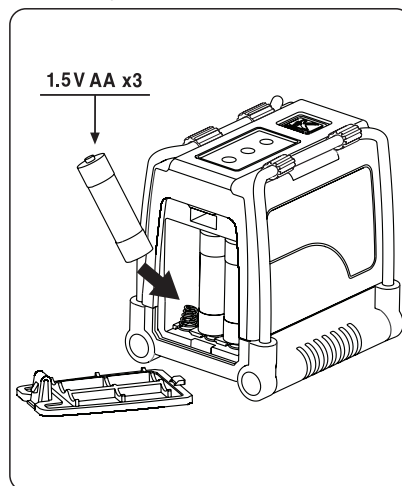
- Do not remove or deface warning labels on the laser level.
- Do not disassemble the laser level, laser radiation can cause serious eye injury.
- Do not drop the laser.
- Do not use solvents to clean the laser.
- Do not use in temperatures below -10°C or above 45°C (14°F / 113°F)
- Do not operate the laser in explosive atmospheres such as flammable liquids, gases or dust. Sparks from the tool can cause ignition.
- When not in use, turn off the power, engage the pendulum lock and place the laser in the carrying pouch.
- Make sure the pendulum lock mechanism is engaged before transporting the laser.

NOTE

If the Pendulum lock mechanism is not engaged before Transportation, internal mechanical damage can occur.

BATTERY INSTALLATION & SAFETY

1. Press down on the latch and remove the battery cover.
2. Insert 3 new AA batteries of the same brand according to the polarity diagram on the inside of the battery compartment.
3. Reclose the battery cover.



NOTE

If the laser level will not be used for a long period, remove the batteries from the battery compartment. This will prevent batteries from leaking and corrosion damage.



⚠ WARNING: Batteries can deteriorate, leak or explode, and can cause injury or fire.

1. Do not shorten the battery terminals.
2. Do not charge Alkaline batteries.
3. Do not mix old and new batteries.
4. Do not dispose of batteries into household waste.
5. Do not dispose batteries in fire.
6. Defective or dead batteries must be disposed according to local Regulations.
7. Keep the batteries out of reach from children.

OVERVIEW

1. On/Off Locking Switch

2. Metal legs

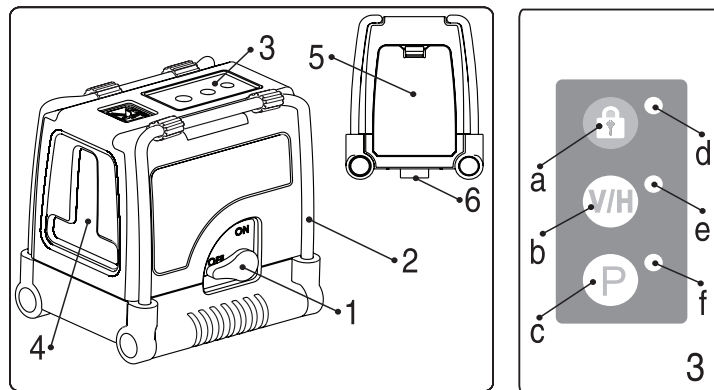
3. Keypad

- | | |
|-------------------------|--------------------|
| a. Manual Mode button | d. Manual Mode LED |
| b. Beam Selector button | e. Laser beam LED |
| c. Pulse Mode button | f. Pulse mode LED |

4. Laser output window

5. Battery cover

6. ¼" tripod mount



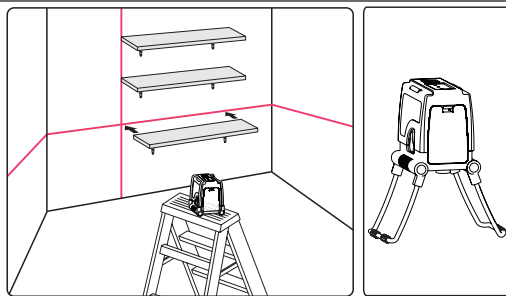


OPERATING INSTRUCTIONS

Working in Automatic mode (self-leveling):





In automatic mode the laser level will level itself in the range of $\pm 3^\circ$ and will project horizontally or vertically or both lines simultaneously.

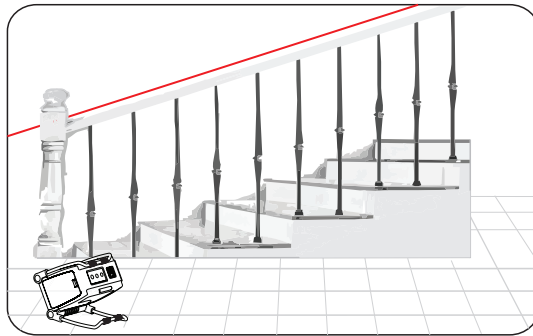
1. Remove the laser from the case and place it on a solid flat Vibration free surface or on a tripod.
2. Turn the locking switch #1 clockwise to the **ON** position the laser level will generate the crossed horizontal and vertical lines and the green LED near the **V/H** push button will light up.
3. Choose the beams that you want to work with by pushing the Beam push button **V/H**
4. Use the adjustable metal legs #2 to adjust the height of the horizontal line.
5. If the initial slope of the laser is beyond $\pm 3^\circ$ and the automatic mode is activated the laser lines will flash and a beeping alarm will be heard. In this case reposition the laser on a more leveled surface.
6. Before moving the laser level switch the locking switch #1 to the **OFF** position, this will lock the pendulum and protect your laser.



Working in Manual mode:

In Manual mode the 872's self-leveling mechanism is disabled and the laser lines can be set at any slope required.

1. Press the Manual push button mode . The laser will project the cross lines and the red LED near the push button  will light up. The green LED of the laser beams near **V/H** push button will light up.
2. Choose the beams that you want to work with by pushing the Beam Selector push button **V/H**
3. To mark a slope, tilt the laser using the adjustable folding legs to adjust the right angle and the height.
4. To turn the manual mode off, press again the Manual push button .
5. While in Manual mode turning the locking switch #1 from **OFF** to **ON** will turn off the Manual mode and the red LED near the  push button. The automatic self – leveling will be activated if the laser level is within the self – leveling range.



Working in Pulse mode with a detector:

For outdoor work under direct sunlight, or bright conditions and for extended indoor ranges up to 60 meters, use the pulse mode with a Detector.

When the pulse mode is activated the laser lines will flash at very high frequency (Invisible to the human eye) this will allow the detector to detect the laser lines.

1. The pulse mode can be activated in Automatic and Manual modes.
2. To switch on the Pulse Mode press the **P** button, the green LED near the **P** push button will light up.
3. When the pulse mode is switched on, the visibility of the laser lines are reduced a little bit.
4. To switch off the Pulse Mode press the **P** button again, the green LED near the **P** push button will go off.

MAINTENANCE

To maintain the accuracy of your project, check the accuracy of your laser level according to the field calibration tests procedures.

- Change the batteries when the laser beams begin to dim.
- Wipe the aperture lens and the body of the laser level with a clean soft cloth. Do not use solvents.
- Although the laser level is dust and dirt resistant to a certain degree do not store in dusty places as a long term exposure may damage internal moving parts.
- If the laser level is exposed to water, dry the laser level before returning it to the carrying case to prevent corrosion damages.
- Remove the batteries if the laser level is unused for a long period of time to prevent corrosion damages.

Repairs

See the warranty section at the end of this manual.

- Do not take apart the Prolaser 872G, or permit unqualified person to disassemble the laser level.
- Repair the measuring tool through qualified technician using original spare parts.
- Unauthorized service may cause eyes injury, irreparably damaging to the laser level, and warranty will be void.



FIELD CALIBRATION TEST

This laser level left the factory fully calibrated.

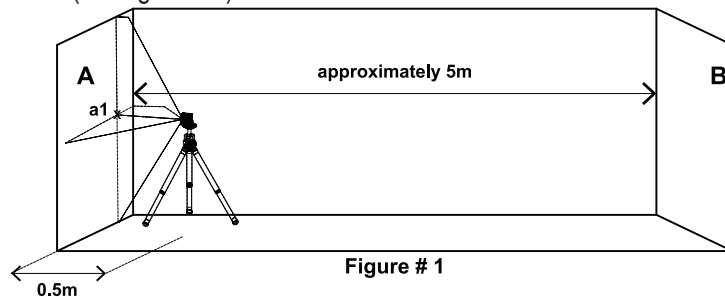
Kapro recommend that the user will check the accuracy of the laser periodically, or if the unit falls or is mishandled.

To do so first check the height accuracy of the horizontal line, then check the levelling accuracy of the horizontal line, and finally check the leveling accuracy of the vertical line.

Checking the Height Accuracy of the Horizontal Line.

(Up and down deviation)

- 1) Set up the laser on a tripod or on a solid surface between two walls **A** and **B**, approximately 5 meters apart.
- 2) Position the laser level approximately 0.5 meter from wall **A**
- 3) Unlock the pendulum and press the button to project the horizontal and the vertical cross lines towards wall **A**.
- 4) Mark on the wall the center of the cross lines as **a1**
(see figure # 1).



- 5) Turn the laser 180° towards wall **B**, and mark on the wall the center of the cross lines as **b1** (see figure 2).

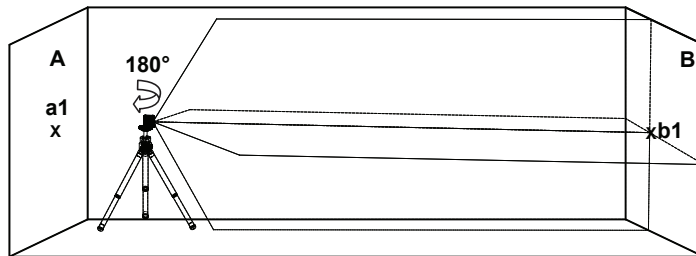


Figure # 2

- 6) Move the laser level towards wall **B** and position it approximately 0.5 meter from wall **B**.
7) Mark on wall **B** the center of the cross lines as **b2** (see figure 3).

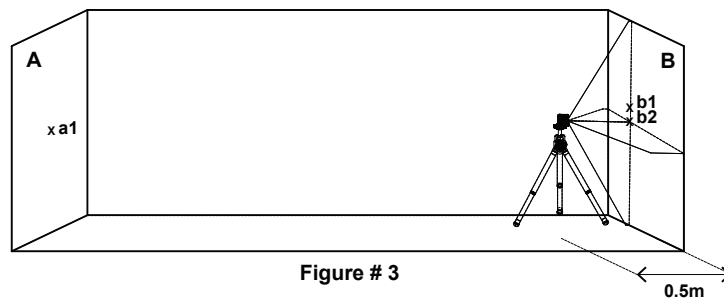


Figure # 3



- 8) Turn the laser 180° towards wall **A**, and mark on the wall the center of the cross lines as **a2** (see figure 4).

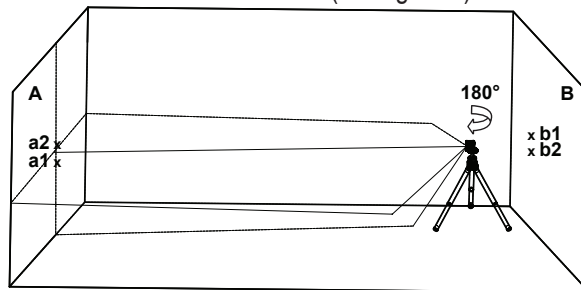


Figure # 4

- 9) Measure the distances:

$$\Delta a = |a2 - a1|$$

$$\Delta b = |b1 - b2|$$

- 10) The difference $|\Delta a - \Delta b|$ should not be more than 2 mm, otherwise to send the laser level to a qualified technician for repairs.

Checking the Level Accuracy of Horizontal Line. (Side to side inclination)

- 1) Set up the laser on a tripod or on a solid surface at a distance of approximately 1.5 meters from a wall 5 meter long.
- 2) Unlock the pendulum and press the button to project the horizontal and the vertical cross lines towards the wall.

- 3) Mark point **a1** on the wall, in the middle of the horizontal line at the left edge of the horizontal line (see figure 5).

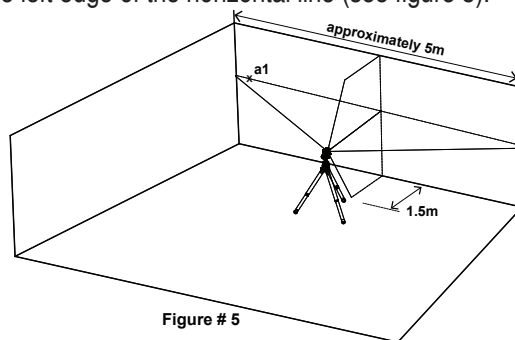


Figure # 5

- 4) Turn the laser level counterclockwise until the right edge of the horizontal line reach's near **a1**, mark a point **a2** on the wall in the middle of the horizontal line (see figure 6).

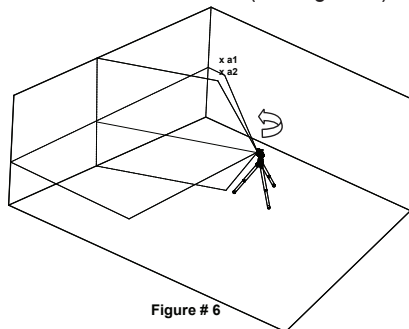


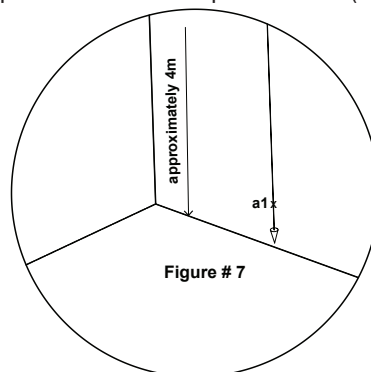
Figure # 6



- 5) The distance between **a1** and **a2**, should not be more than 1 mm otherwise to send the laser level to a qualified technician for repairs.

Checking the Accuracy of the Vertical line.

- 1) Hang approximately 4 meter plumb line on a wall.
- 2) After the plumb line has settled, Mark point **a1** on the wall behind the plumb line near the plumb cone. (see figure 7).



- 3) Set up the laser on a tripod or on a solid surface in front of the wall at a distance of approximately 2 meters.
- 4) Unlock the pendulum, and press the button to project the vertical line toward the plumb line.
- 5) Turn the laser so that the vertical line will merge with the plumb line below the hanging point.

6) Mark point **a2** on the wall, in the middle of the vertical line at the same height of **a1**. (see figure 8).

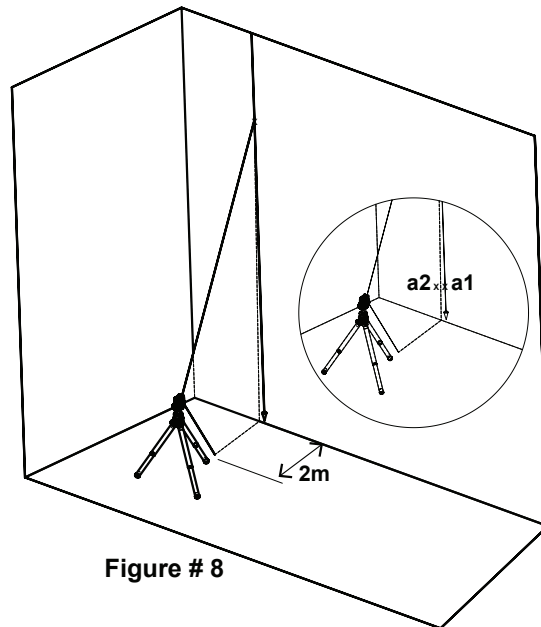


Figure # 8

7) The distance between **a1** and **a2**, should not be more than 1mm, otherwise to send the laser level to a qualified technician for repairs.



SPECIFICATIONS

Laser beams output pattern	Vertical and horizontal cross lines Horizontal line Vertical line
Laser range	<ul style="list-style-type: none">Indoor - 30m (100ft)Outdoor with detector 60m (200ft)
Accuracy	$\pm 0.2\text{mm/m}$ ($\pm 0.0002\text{in/in}$)
Fan angle	$120^\circ \pm 5^\circ$
Self-leveling range	$\pm 3^\circ$
Laser line width	$2\text{ mm} \pm 0.5\text{mm}/5\text{m}$ ($0.10'' \pm 0.02''$ at 20')
Wavelength	$520 \pm 10\text{nm}$ - Laser Class II
Power supply	3 AA batteries (included)
Battery life	6 hours of continuous operation
Operating temp	$-10^\circ\text{C} + 45^\circ\text{C}$ ($14^\circ\text{F} + 113^\circ\text{F}$)
Storage temp	$-20^\circ\text{C} + 60^\circ\text{C}$ ($-4^\circ\text{F} + 140^\circ\text{F}$)
Water & dust proof	IP54
Dimensions	$10\text{cm} \times 8.2\text{cm} \times 10.4\text{cm}$ ($3.9'' \times 3.2'' \times 4.1''$)
Weight including batteries	$620\text{gr} \pm 10\text{gr}$ ($1.37\text{lbs} \pm 0.35\text{oz}$)

WARRANTY

This product is covered by a two-year limited warranty against defects in materials and workmanship. It does not cover products that are used improperly, altered or repaired without Kapro approval.

In the event of a problem with the laser level you have purchased, please return the product to the place of purchase with the proof of purchase.

Model #872 GREEN Prolaser® Plus

Serial number sticker is positioned inside the battery compartment.



ES

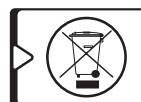
Gracias por su compra del Kapro 872 GREEN Prolaser® Plus. Usted posee ahora una de las herramientas láser más avanzadas disponibles. Este manual le mostrará cómo sacar el máximo provecho de su herramienta láser.

APLICACIONES

El 872 GREEN Prolaser® Plus con diodos verdes.

Este láser innovadora para una gama muy amplia de trabajos profesionales y de bricolaje (DIY), incluyendo:

- Alineación de azulejos, armarios, bordes, molduras y ribetes
- Instalación de puertas y ventanas
- Todo tipo de trabajos de bricolaje (DIY), incluyendo colgar estanterías, cuadros y más



NOTA

Guarde este manual del usuario para consultarlo en el futuro.

CONTENIDO

• Características	24
• Instrucciones de seguridad	25-26
• Instalación de baterías y Seguridad	27-28
• Descripción general	29
• Instrucciones de operación	30-32
• Mantenimiento	33
• Prueba de calibración de campo	34-39
• Especificaciones	40
• Garantía	41



CARACTERÍSTICAS

- Esta herramienta láser determina automáticamente los planos horizontal y vertical
- El láser proyecta la intersección de líneas horizontales y verticales
- Auto-nivel en el modo automático cuando el láser se coloca dentro de su rango de autonivelación.
- Advertencia visual y sonora para la posición “fuera de nivel”
- El alcance máximo de detección del láser en el modo de pulso es de 60m (200').
- El modo manual permite el trazado/marcación angular
- Patas plegables de metal fuertes y ajustables que permiten ángulos extremos de montaje y ajuste de altura
- Mecanismo de bloqueo para proteger el péndulo durante el transporte.
- Adaptador para trípode de 1/4"
- Carcasa de goma resistente a impactos
- Tamaño compacto – cabe en su caja de herramientas

NOTA

Este dispositivo contiene componentes de precisión sensibles a caídas o golpes e impactos externos, que pueden afectar su funcionalidad – manéjelo con cuidado para mantener su precisión.

INSTRUCCIONES DE SEGURIDAD



ADVERTENCIA

Este producto emite radiación clasificada como de Clase II según la norma EN 60825 -1

La radiación láser puede causar lesiones oculares graves



- No mire directamente al rayo láser
- No posicione el haz de láser de modo que encieguezca sin querer a otras personas o a usted mismo.
- No opere el nivel láser cerca de niños, ni permita a los niños utilizar el nivel láser.
- No mire a un rayo láser utilizando equipos ópticos de aumento, tal como prismáticos o telescopio, ya que esto aumentará el nivel de lesión ocular.

⚠️ ADVERTENCIA: Este producto contiene plomo en las soldaduras, y ciertas partes eléctricas contienen productos químicos que son reconocidos por el Estado de California como causantes de cáncer, defectos de nacimiento u otros daños reproductivos. (California Health & Safety Code Section 25249.6- Proposition 65)



NOTA

Las gafas de color verde están destinadas a mejorar la visibilidad del haz de láser. No protegerán sus ojos contra la radiación láser.



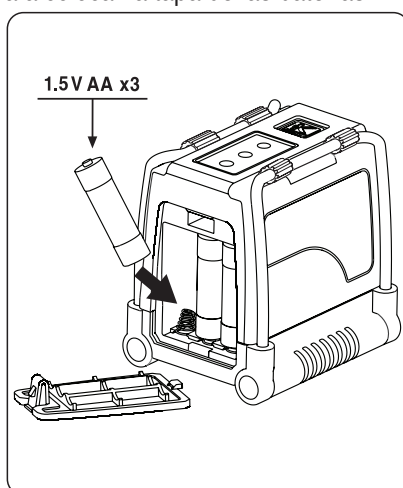
- No quite ni destruya las etiquetas de advertencia del nivel láser.
- No desarme el nivel láser, la radiación láser puede causar lesiones oculares graves.
- No deje caer el láser.
- No utilice disolventes para limpiar la unidad láser.
- No debe usarse en temperaturas inferiores a -10°C o superiores a 45°C (14°F / 113°F)
- No opere el láser en atmósferas explosivas, tales como líquidos inflamables, gases o polvo. Las chispas de la herramienta pueden causar ignición.
- Cuando no esté en uso, apague la unidad, enganche el bloqueo del péndulo, y coloque el láser en el estuche de transporte.
- Asegúrese de que el mecanismo de bloqueo del péndulo esté activado antes de transportar el láser.

NOTA

Si el mecanismo de bloqueo del péndulo no está activado antes del transporte, se podría producir daño mecánico interno.

INSTALACIÓN DE BATERÍAS Y SEGURIDAD

1. Presione el pestillo hacia abajo y retire la tapa de las baterías.
2. Inserte 3 pilas AA nuevas de igual marca en el interior del compartimiento de las baterías, de acuerdo con el diagrama de polaridad.
3. Vuelva a colocar la tapa de las baterías.



NOTA

Si el nivel láser no se utiliza durante un largo periodo, retire las baterías del compartimiento de baterías. Esto evitará que ocurran fugas de las baterías y daños de corrosión.



- ⚠ ADVERTENCIA:** Las baterías pueden deteriorarse, producir fugas o explosiones, y pueden causar lesiones o incendios.
1. No acorte los terminales de las baterías.
 2. No recargue las baterías alcalinas.
 3. No mezcle baterías viejas y nuevas.
 4. No deseche las baterías en la basura hogareña.
 5. No deseche las baterías en el fuego.
 6. Las baterías defectuosas o gastadas deben desecharse de acuerdo con las normativas locales.
 7. Mantenga las baterías fuera del alcance de los niños.

DESCRIPCIÓN GENERAL

1. Interruptor de bloqueo de encendido/apagado (On/Off)

2. Patas de metal

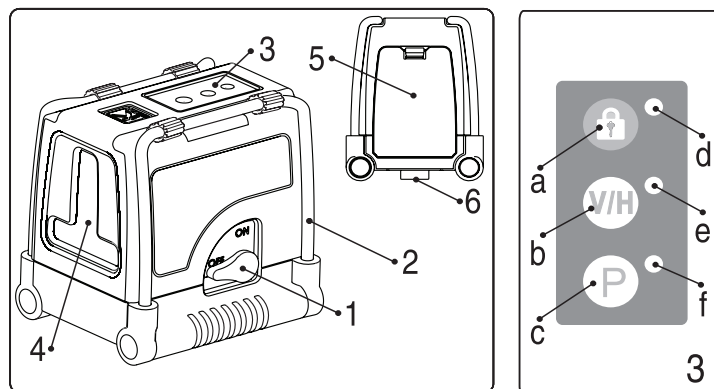
3. Teclado

- | | |
|--------------------------|-----------------------|
| a. Botón de modo manual | d. LED de modo manual |
| b. Botón selector de haz | e. LED de haz láser |
| c. Botón de modo pulso | f. LED de modo pulso |

4. Ventana de salida del láser

5. Tapa de las baterías

6. Montaje de trípode de 1/4"



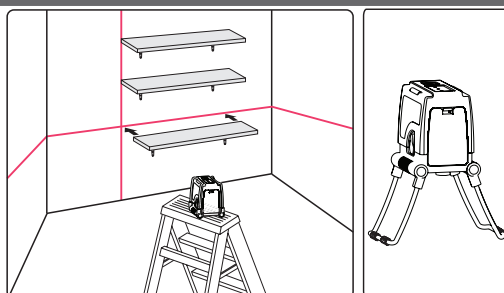


INSTRUCCIONES DE OPERACIÓN

Trabajo en modo automático (autonivelante):





En modo automático, el nivel láser se nivelará en el rango de $\pm 3^\circ$, y proyectará horizontal o verticalmente o ambas líneas simultáneamente.

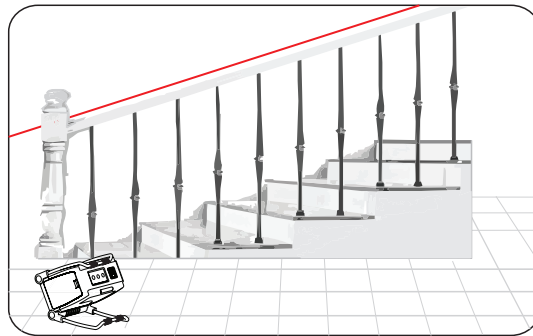
1. Retire el láser del estuche y colóquelo sobre una superficie plana sólida y libre de vibraciones o sobre un trípode.
2. Gire el interruptor de bloqueo #1 en sentido horario a la posición **ON**, el nivel láser generará las líneas horizontales y verticales cruzadas, y el LED verde cerca del pulsador **V/H** se iluminará.
3. Elija los haces con los que desea trabajar, presionando el pulsador de haz **V/H**
4. Utilice las patas de metal ajustables #2 para ajustar la altura de la línea horizontal.
5. Si la pendiente inicial del láser está más allá de $\pm 3^\circ$ y está activado el modo automático, las líneas de láser parpadean y se escucha un pitido de alarma.
En este caso, cambie la posición del láser colocándolo sobre una superficie más nivelada.
6. Antes de mover el nivel láser, cambie el interruptor de bloqueo #1 a la posición **OFF**, esto bloqueará el péndulo y protegerá su láser.



Trabajo en modo manual:

En modo manual, el mecanismo de auto-nivelación del 872 está desactivado, y las líneas de láser se pueden ajustar en cualquier pendiente que se requiera.

1. Pulse el pulsador de modo Manual . El láser proyectará las líneas cruzadas, y se iluminará el LED rojo cerca del botón  pulsador. El LED verde de los rayos láser cerca del pulsador **V/H** se iluminará.
2. Elija los haces con los que desea trabajar, presionando el pulsador **V/H** de selección de haz.
3. Para marcar una pendiente, incline el láser utilizando las patas plegables ajustables para fijar el ángulo correcto y la altura.
4. Para desactivar el modo manual, pulse de nuevo el botón pulsador Manual .
5. Mientras se está en modo Manual, al cambiar el interruptor de bloqueo #1 de **OFF** a **ON**, se desactivará el modo manual y se apagará el LED rojo cerca del pulsador . La autonivelación automática se activará si el nivel láser está dentro del rango de autonivelación.



Trabajo en modo de Pulsos con un detector:

Para trabajar al aire libre bajo la luz solar directa o bajo condiciones de mucho brillo, y para los rangos de interior extendidos hasta 60 metros, utilice el modo de pulsos con un detector.

Cuando se activa el modo de pulsos, las líneas de láser parpadearán a muy alta frecuencia (invisible para el ojo humano), esto permitirá que el detector detecte las líneas de láser.

1. El modo de pulsos puede ser activado en los modos automático y manual.
2. Para activar el modo de pulsos, presione el botón **P**, se iluminará el LED verde cerca del botón pulsador **P**.
3. Cuando se enciende el modo de pulso, la visibilidad de las líneas láser se reduce un poco.
4. Para desactivar el modo de pulsos, presione nuevamente el botón **P**, se apagará el LED verde cerca del botón pulsador **P**.

MANTENIMIENTO

Para mantener la exactitud de su proyecto, verifique la precisión de su nivel láser de acuerdo con los procedimientos de pruebas de calibración de campo.

- Cambie las baterías cuando los rayos láser comiencen a atenuarse.
- Limpie el lente de apertura y el cuerpo del nivel láser utilizando un paño suave y limpio. No utilice disolventes.
- Aunque el nivel láser es resistente al polvo y la suciedad en cierta medida, no lo almacene en lugares polvorientos, ya que una exposición de largo plazo puede dañar las piezas móviles internas.
- Si el nivel láser se expone al agua, secarlo antes de devolverlo al estuche a fin de impedir daños de corrosión.
- Retire las baterías si no utiliza el nivel láser durante un largo periodo de tiempo, para evitar daños de corrosión.

Reparaciones

Consulte la sección de garantía al final de este manual.

- No desmonte el Prolaser 872G, ni permita que una persona no calificada desmonte el nivel del láser.
- Repare la herramienta de medición a través de un técnico calificado utilizando piezas de recambio originales.
- El servicio no autorizado puede causar lesiones en los ojos, dañar irreparablemente el nivel del láser y la garantía quedará anulada.



PRUEBA DE CALIBRACIÓN DE CAMPO

Este nivel láser sale de fábrica totalmente calibrado. Kapro recomienda que el usuario compruebe la precisión del láser periódicamente, o cuando la unidad se cae, o cuando se manipula en forma indebida. Para ello, compruebe en primer lugar la precisión de la altura de la línea horizontal, a continuación compruebe la exactitud de nivelación de la línea horizontal, y finalmente compruebe la precisión de nivelación de la línea vertical.

Comprobación de la precisión de altura de la línea horizontal. (desviación hacia abajo y hacia arriba)

- 1) Instale el láser sobre un trípode o sobre una superficie sólida entre dos paredes **A** y **B**, separadas por unos 5 metros.
- 2) Posicione el nivel láser aproximadamente a 0.5 metros de la pared **A**
- 3) Desbloquee el péndulo y pulse el botón para proyectar las líneas cruzadas verticales y horizontales hacia la pared **A**.
- 4) Marque en la pared el centro de las líneas cruzadas como **a1** (ver la figura # 1).

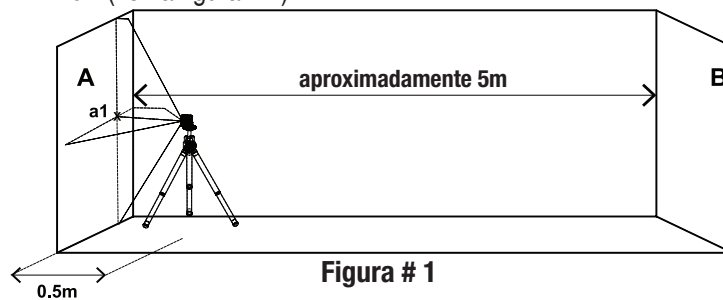


Figura # 1

5) Gire el láser 180° hacia la pared **B**, y marque en la pared el centro de las líneas cruzadas como **b1** (ver la figura # 2).

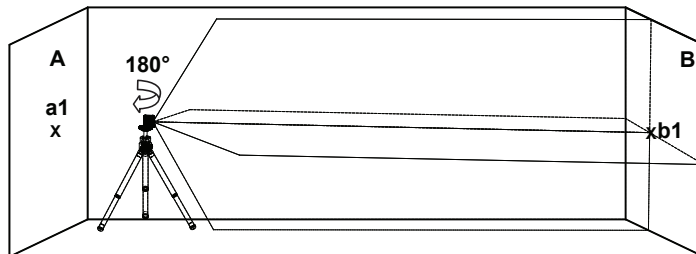


Figura # 2

6) Mueva el nivel láser hacia la pared **B** y posícionelo aproximadamente a 0.5 metros de la pared **B**.

7) Marque en la pared **B** el centro de las líneas cruzadas como **b2** (ver la figura # 3).

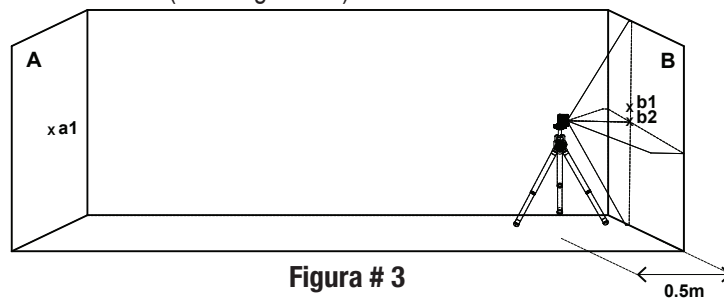


Figura # 3



- 8) Gire el láser 180° hacia la pared **A**, y marque en la pared el centro de las líneas cruzadas como **a2** (ver la figura # 4).

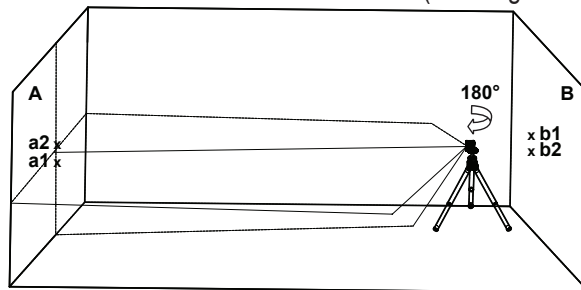


Figura # 4

- 9) Mida las distancias:

$$\Delta a = |a2 - a1|$$

$$\Delta b = |b1 - b2|$$

- 10) La diferencia $|\Delta a - \Delta b|$ no debe ser de más de 2 mm., si no es así envíe el nivel láser a un técnico cualificado para su reparación.

Comprobación de la precisión de nivelado de la línea horizontal. (Inclinación de lado a lado)

- 1) Instale el láser sobre un trípode o sobre una superficie sólida a una distancia de aproximadamente 1.5 metros de una pared de 5 metros de largo.
- 2) Desbloquee el péndulo y pulse el botón para proyectar las líneas cruzadas verticales y horizontales hacia la pared.

- 3) Marque el punto **a1** en la pared, en el medio de la línea horizontal en el borde izquierdo de la línea horizontal (ver la figura # 5).

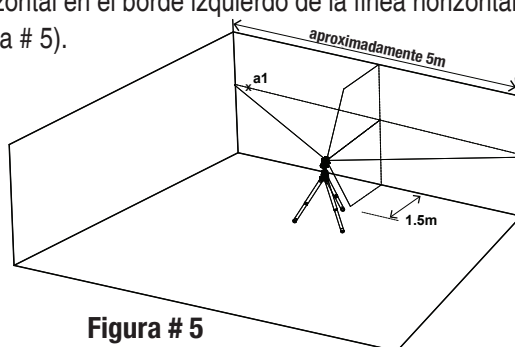


Figura # 5

- 4) Gire el nivel láser en sentido contrario de las manecillas del reloj hasta que el borde derecho de la línea horizontal llegue cerca de **a1**, marque un punto **a2** en la pared en medio de la línea horizontal (ver la figura # 6).

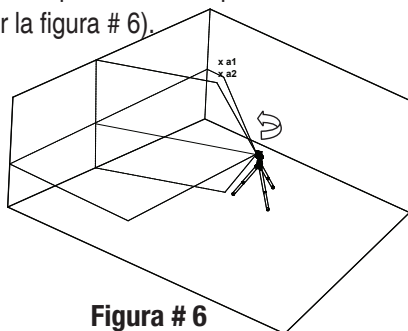


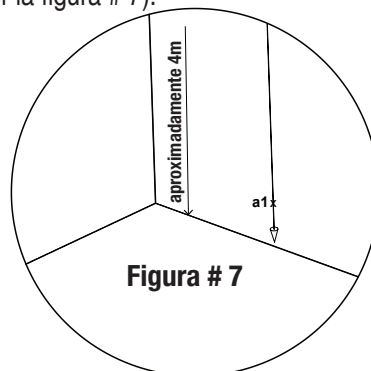
Figura # 6



- 10) La distancia entre **a1** y **a2** no debe ser de más de 1 mm., si no es así envíe el nivel láser a un técnico cualificado para su reparación.

Verificar la exactitud de la línea vertical.

- 1) Cuelgue una plomada de aproximadamente 4 metros en una pared.
- 2) Después de asentada la plomada, marque el punto **a1** en la pared detrás de la línea de plomada cerca del cono de la plomada. (ver la figura # 7).



- 3) Instale el láser sobre un trípode o sobre una superficie sólida frente a la pared, a una distancia de aproximadamente 2 metros.
- 4) Desbloquee el péndulo y pulse el botón para proyectar la línea vertical hacia la línea de plomada.
- 5) Gire el láser de modo que la línea vertical se fusione con la línea de plomada por debajo del punto de suspensión.

6) Marque el punto **a2** en la pared, en el medio de la línea vertical a la misma altura de **a1**. (ver la la figura # 8).

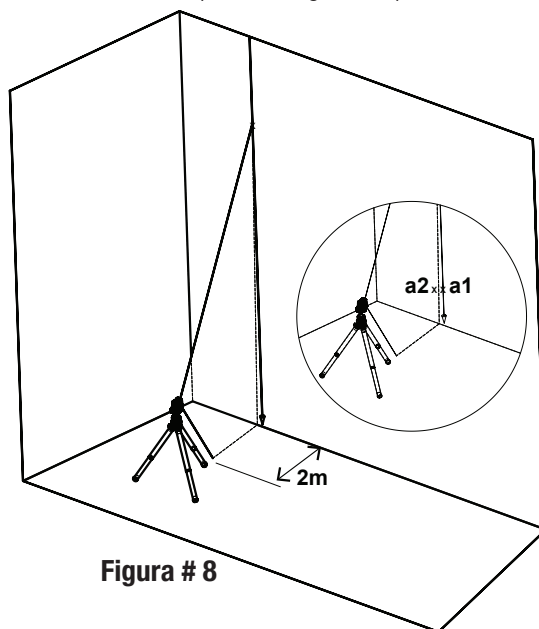


Figura # 8

7) La distancia entre **a1** y **a2** no debe ser de más de 1 mm., si no es así envíe el nivel láser a un técnico cualificado para su reparación.



ESPECIFICACIONES

Patrón de salida de rayos láser	Líneas cruzadas verticales y horizontales Linea horizontal; Linea vertical
Rango del láser	<ul style="list-style-type: none">• En interiores - 30m (100 pies)• En exteriores con detector 60m (200 pies)
Precisión	$\pm 0.2\text{mm/m}$ ($\pm 0.0002\text{in/in}$)
Ángulo de barrido de	$120^\circ \pm 5^\circ$
Rango de autonivelación	$\pm 3^\circ$
Ancho de línea láser	$2\text{ mm} \pm 0.5\text{mm}/5\text{m}$ ($0.10'' \pm 0.02''$ at 20')
Longitud de onda	$520 \pm 10\text{nm}$ - Láser de Clase II
Fuente de alimentación	3 baterías AA (incluidas)
Duración de la batería	6 horas de funcionamiento continuo
Temperatura de funcionamiento	$-10^\circ\text{C} + 45^\circ\text{C}$ ($14^\circ\text{F} + 113^\circ\text{F}$)
Temperatura de almacenamiento	$-20^\circ\text{C} + 60^\circ\text{C}$ ($-4^\circ\text{F} + 140^\circ\text{F}$)
Resistente al agua y al polvo	IP54
Dimensiones	10cm x 8.2cm x 10.4cm
Peso incluyendo baterías	620gr \pm 10gr (1.37lbs \pm 0.35oz)

GARANTÍA

Este producto está cubierto por una garantía limitada de dos años contra defectos de materiales y mano de obra.

No cubre los productos que se utilicen inadecuadamente, se modifiquen o se reparen sin la aprobación de Kapro.

En caso de problemas con el nivel láser que ha adquirido, por favor devuelva el producto al lugar de compra presentando el comprobante de compra.

Modelo #872 GREEN Prolaser® Plus

La etiqueta con el número de serie está colocada en el interior del compartimiento de baterías.



FR

Nous vous félicitons pour votre achat du Prolaser® Plus 872 GREEN Kapro. Vous êtes en possession de l'un des outils laser les plus avancés du marché. Ce manuel décrit comment tirer le meilleur parti de votre outil laser.

APPLICATIONS

Le niveau laser 872 vert est doté de diodes vertes très lumineuses. Cet laser se destine à de très nombreuses tâches professionnelles ou de bricolage, notamment:

- Alignement de carrelage, placards, rives, moulures et boiseries
- Pose de portes et fenêtres
- Tous types de travaux de bricolage, notamment la pose d'étagères, de cadres, etc.



REMARQUE

Conservez ce mode d'emploi à titre de référence.

SOMMAIRE

• Fonctions	44
• Consignes de sécurité	45-46
• Installation des piles et sécurité	47-48
• Vue d'ensemble	49
• Utilisation	50-52
• Entretien	53
• Test d'étalonnage sur site	54-59
• Caractéristiques	60
• Garantie	61



CARACTÉRISTIQUES

- Cet outil laser détermine automatiquement les plans horizontal et vertical
- Le laser projette les lignes verticale et horizontale croisées
- Auto-nivellement en mode automatique lorsque le laser est placé dans la portée d'auto-nivellement
- Alerte « hors portée » visuelle et sonore
- La portée détectable maximale du laser en mode impulsion est de 60 mètres (200').
- Mode manuel pour le traçage et le marquage d'angle
- Pieds pliants robustes pour le positionnement sur angles élevés ou en hauteur
- Système de verrouillage de protection du balancier durant le transport
- Adaptateur trépied 1/4"
- Boîtier antichoc en caoutchouc
- Taille compacte - tient dans la caisse à outils

REMARQUE

Cet appareil contient des pièces de précision sensibles aux chocs externes, aux impacts et à la chute, qui peuvent compromettre ses fonctionnalités - pour conserver sa précision, manipulez-le avec précaution.

CONSIGNES DE SÉCURITÉ



ATTENTION

Ce produit émet un rayonnement de classe 2 selon la norme EN 60825 -1



Le rayonnement laser peut entraîner de graves lésions oculaires

- Ne pas regarder dans le faisceau laser
- Ne pas placer le faisceau laser de sorte qu'il pointe en direction de vos yeux ou des yeux d'autrui
- Ne pas utiliser le niveau laser à proximité d'enfants ou laisser des enfants utiliser le niveau laser
- Ne pas regarder dans le faisceau laser avec un matériel optique grossissant, des jumelles ou un télescope par exemple, pouvant aggraver les lésions oculaires.

⚠ ATTENTION: Ce produit contient des soudures au plomb et certaines pièces électriques contiennent des produits chimiques connus de l'État de Californie pour causer le cancer, des malformations congénitales ou des dangers pour la reproduction (section 25249.6, proposition 65 du Code de santé et de sécurité de la Californie)



REMARQUE

Les lunettes vertes sont destinées à améliorer la visibilité du faisceau laser. Elles ne protègent pas les yeux contre le rayonnement laser.



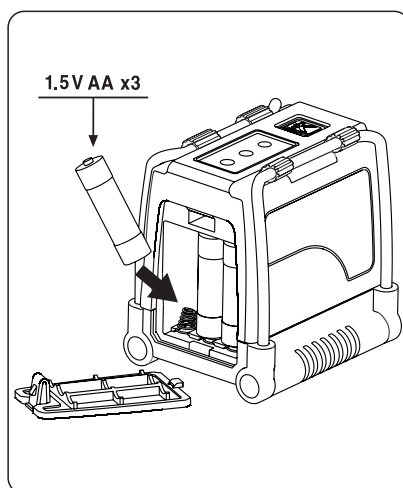
- Ne pas retirer ou dégrader les étiquettes d'avertissement apposées sur le niveau laser
- Ne pas démonter le niveau laser, le rayonnement laser peut gravement endommager l'œil.
- Ne pas faire chuter l'appareil
- Ne pas employer de solvant pour nettoyer l'appareil
- Ne pas utiliser à des températures inférieures à - 10°C ou supérieures à 45°C (14°F - 113°F)
- Ne pas utiliser en environnement inflammable tel qu'en présence de liquides, gaz ou poussières inflammables. Les étincelles de l'outil sont inflammables.
- Lorsqu'il n'est pas utilisé, éteindre l'appareil, retirer les piles, verrouiller le balancier et placer le laser dans sa sacoche de transport.
- S'assurer que le mécanisme de verrouillage du balancier est engagé avant de transporter le laser

REMARQUE

Le non verrouillage du balancier avant le transport est susceptible d'endommager le mécanisme interne.

INSTALLATION DES PILES ET SÉCURITÉ

1. Appuyez sur l'ergot et ôtez le couvercle de piles.
2. Insérez 3 piles AA neuves de marque identique en respectant le schéma de polarité figurant à l'intérieur du compartiment de piles.
3. Fermez le couvercle de piles.



REMARQUE

En cas de non utilisation prolongée du niveau laser, retirez les piles du compartiment afin d'éviter toute fuite ou corrosion.



⚠ ATTENTION: les piles peuvent se détériorer, fuir ou exploser, et causer des blessures ou un incendie.

1. Ne pas raccourcir les bornes des piles.
2. Ne pas recharger des piles alcalines.
3. Ne pas mélanger des piles neuves et anciennes.
4. Ne pas jeter les piles aux ordures ménagères.
5. Ne pas jeter les piles au feu.
6. Les piles défectueuses ou usagées doivent être mises au rebut conformément à la réglementation en vigueur.
7. Tenir les piles hors de portée des enfants.

VUE D'ENSEMBLE

1. Interrupteur On/Off

2. Pieds métalliques

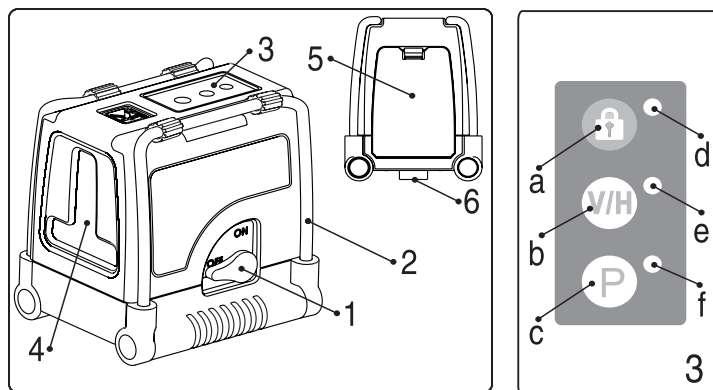
3. Bloc de touches

- | | |
|------------------------------------|---------------------------------|
| a. Bouton de mode manuel | d. Témoin LED de mode manuel |
| b. Bouton de sélection de faisceau | e. Témoin LED de faisceau laser |
| c. Bouton de mode impulsion | f. Témoin LED de mode |

4. Fenêtre de projection laser

5. Couvercle de piles

6. Adaptateur trépied 1/4"



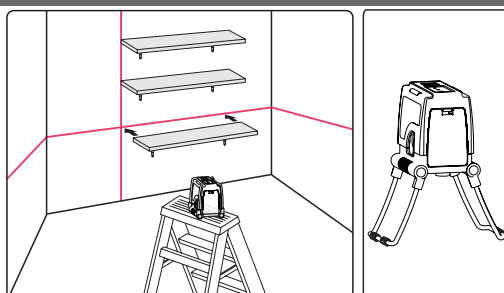


UTILISATION

Fonctionnement en mode automatique (auto-nivellement) :





En mode automatique, le niveau laser s'auto-nivelle lui-même dans une plage de $\pm 3^\circ$ et projette la ligne horizontale ou la ligne verticale, ou les deux lignes simultanément.

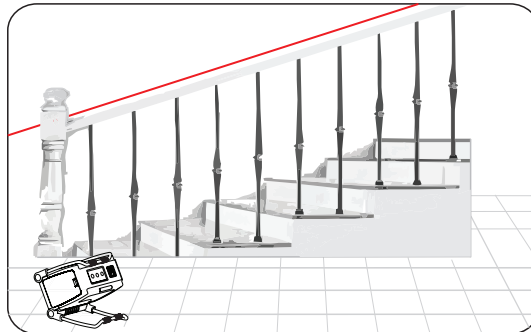
1. Retirez le laser du boîtier de protection et placez-le sur une surface plane et sans vibration ou sur un trépied.
2. Tournez l'interrupteur (1) dans le sens horaire sur **ON**.
Le niveau laser génère les lignes horizontale et verticale croisées et le témoin LED vert en regard du bouton **V/H** s'illumine.
3. Choisissez les faisceaux que vous souhaitez utiliser en appuyant sur le bouton de faisceau **V/H**.
4. Utilisez les pieds métalliques réglables (2) pour régler la hauteur de la ligne horizontale.
5. Si l'inclinaison initiale du laser est supérieure à $\pm 3^\circ$ et que le mode automatique est engagé, les lignes laser clignotent et un signal d'alarme est émis. Dans ce cas, posez le laser sur une surface plus au niveau.
6. Avant de déplacer le niveau laser, tournez l'interrupteur (1) en position **OFF**. Le balancier est verrouillé et votre laser protégé.



Utilisation en mode manuel

En mode manuel, le mécanisme d'auto-nivellement du 872 est désengagé et les lignes laser peuvent être définies sur n'importe quelle inclinaison.

1. Appuyez sur le bouton de mode Manuel . Le laser projette les lignes croisées et le témoin LED rouge en regard du bouton  s'allume. Le témoin LED vert du faisceau laser en regard du bouton **V/H** s'allume.
2. Choisissez les faisceaux que vous souhaitez utiliser en appuyant sur le bouton de sélection de faisceau **V/H**.
3. Pour marquer une inclinaison, inclinez le laser à l'aide des pieds réglables pour le régler à l'angle et à la hauteur correctes.
4. Pour désengager le mode manuel, appuyez à nouveau sur le bouton de mode manuel .
5. En mode manuel, l'engagement de l'interrupteur (1) de **OFF** à **ON** désactive le mode manuel et le témoin LED rouge à côté du bouton . L'auto-nivellement automatique est engagé lorsque le niveau laser se trouve dans la plage d'auto-nivellement.



Utilisation en mode impulsion avec un détecteur

Lorsque l'appareil est utilisé directement exposé au soleil ou dans des conditions lumineuses élevées, ou à l'intérieur jusqu'à une portée de 60 mètres, utilisez le mode impulsion avec un détecteur.

Lorsque le mode impulsion est engagé, les lignes laser clignotent à fréquence très élevée (invisibles à l'œil nu), ce qui permet au détecteur de détecter les lignes laser.

1. Le mode impulsion peut être engagé en mode automatique et manuel.
2. Pour passer en mode impulsion, appuyez sur le bouton **P**, le témoin LED vert en regard du bouton **P** s'allume.
3. En mode impulsion, la visibilité des lignes laser est légèrement réduite.
4. Pour quitter le mode Impulsion, appuyez à nouveau sur le bouton **P**, le témoin LED vert en regard du bouton **P** s'éteint.

ENTRETIEN

Afin de garantir la précision de votre projet, vérifiez l'exactitude de votre niveau laser en utilisant les procédures d'étalonnage sur le terrain.

- Changez les piles lorsque l'intensité des faisceaux laser faiblit.
- Nettoyez la fenêtre de projection et le boîtier du niveau laser à l'aide d'un chiffon propre et doux. N'utilisez pas de solvants.
- Bien que le niveau laser soit résistant à l'eau et à la poussière, ne le remisez pas en un endroit poussiéreux, une longue exposition étant susceptible d'endommager des pièces mobiles internes.
- Si le niveau laser est exposé à l'eau, essuyez-le avant de le remettre dans son boîtier de transport pour éviter tout risque de corrosion.
- En cas de non-utilisation prolongée de l'appareil, retirez les piles pour éviter tout risque de corrosion.

Réparation

Vous trouverez les détails de notre garantie à la fin du guide.

- En cas de dysfonctionnement L'appareil ne doit pas être ouvert et démonté que par une personne non qualifiée.
- Les réparations doivent être effectuées par une personne habilitée avec des pièces de remplacement qui appartiennent au produit.
- L'utilisation d'un service non qualifié peut entraîner des blessures aux yeux, des dommages irréparables pour l'appareil et remettre en cause la garantie elle-même.

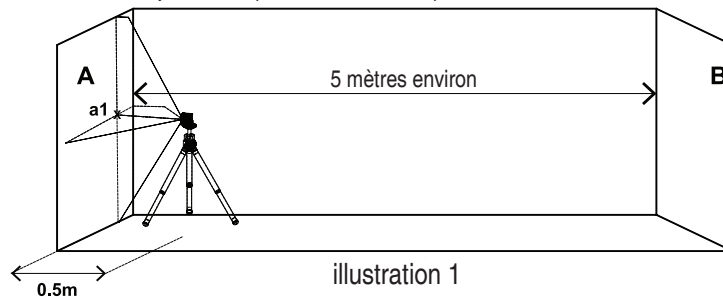


TEST D'ÉTALONNAGE SUR SITE

Le niveau laser quitte l'usine entièrement étalonné. Kapro recommande de vérifier régulièrement le niveau, et impérativement après une chute ou une erreur de manipulation. Pour ce faire, il est nécessaire de vérifier, dans l'ordre, la précision de hauteur de la ligne horizontale, la précision de nivellement de la ligne horizontale, et enfin la précision de nivellement de la ligne verticale.

Vérification de la précision de hauteur de la ligne horizontale (écart haut/bas)

- 1) Posez le laser sur un trépied ou une surface solide, entre deux murs **A** et **B** distants d'environ 5 mètres.
- 2) Placez le niveau laser à environ 50 cm du mur **A**.
- 3) Déverrouillez le balancier et appuyez sur le bouton pour projeter les lignes horizontale et verticale croisées sur le mur **A**.
- 4) Marquez la position du croisement des ligne sur le mur, comme point **a1** (voir illustration 1)



- 5) Tournez le laser de 180° vers le mur **B**, et marquez sur le mur le centre des lignes croisées, comme point **b1** (voir illustration 2).

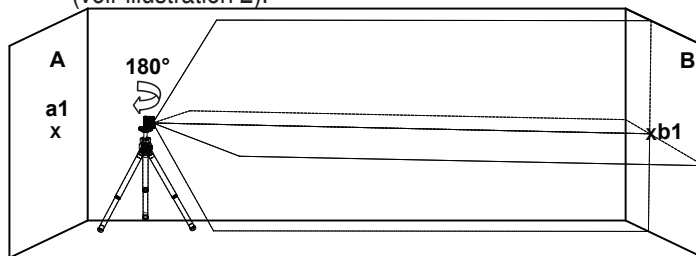


illustration 2

- 6) Déplacez le niveau laser face au mur **B**, à environ 50 cm du mur.
7) Marquez sur le mur **B** le croisement des lignes comme point **b2**. (voir illustration 3)

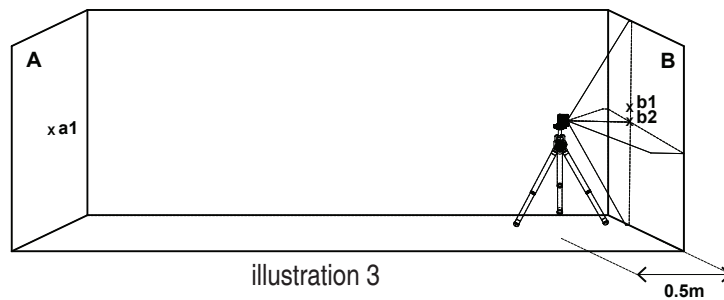


illustration 3

- 8) Tournez le laser de 180° en direction du mur **A**, et marquez sur le mur le croisement des lignes comme point **a2** (voir illustration 4).

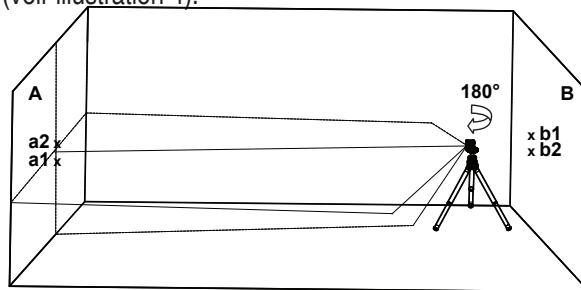


illustration 4

- 9) Mesurez les distances :

$$\Delta a = |a2 - a1|$$

$$\Delta b = |b1 - b2|$$

- 10) La différence $|\Delta a - \Delta b|$ doit être inférieure à 2 mm, dans le cas contraire, le niveau laser doit être examiné par un technicien agréé.

Vérification de la précision de nivellement de la ligne horizontale (inclinaison latérale)

- 1) Placez le laser sur un trépied ou une surface solide, à une distance d'environ 1,5 m d'un mur de 5 m de long.
- 2) Déverrouillez le balancier et appuyez sur le bouton pour projeter les lignes horizontale et verticale croisées sur le mur.

- 3) Marquez le point **a1** sur le mur, à l'extrémité gauche de la ligne horizontale (voir illustration 5).

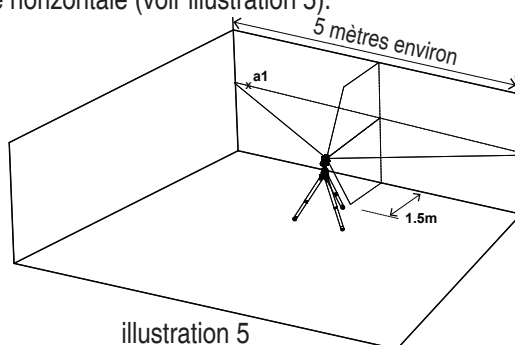


illustration 5

- 4) Tournez le niveau laser dans le sens antihoraire jusqu'à ce que l'extrémité droite de la ligne horizontale soit au niveau de **a1**, et marquez le point **a2** sur le mur, sur la ligne horizontale (voir illustration 6).

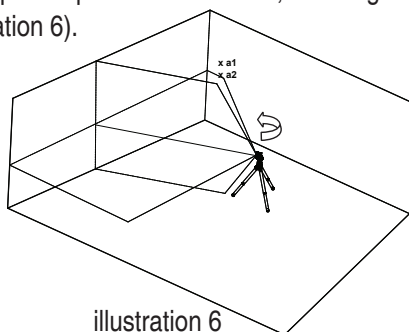
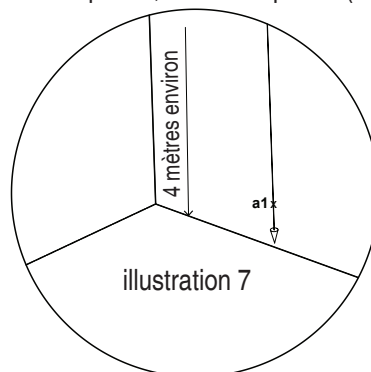


illustration 6

- 5) La distance entre **a1** et **a2** ne doit pas excéder 1 mm.
Dans le cas contraire, le niveau laser doit être examiné par un technicien agréé.

Vérification de la précision de la ligne verticale

- 1) Suspendez à un mur un fil à plomb d'environ 4 mètres.
- 2) Une fois le fil à plomb en équilibre, marquez le point **a1** sur le mur derrière le fil à plomb, à côté du plomb (voir illustration 7).



- 3) Placez le laser sur un trépied ou une surface solide, face au mur, à une distance d'environ 2 mètres.
- 4) Déverrouillez le balancier et appuyez sur le bouton pour projeter la ligne verticale en direction du fil à plomb.
- 5) Tournez le laser afin que la ligne verticale se superpose avec le fil à plomb sous le point de suspension.

- 6) Sur le mur, marquez le point **a2** au milieu de la ligne verticale et à la même hauteur que **a1** (voir illustration 8).

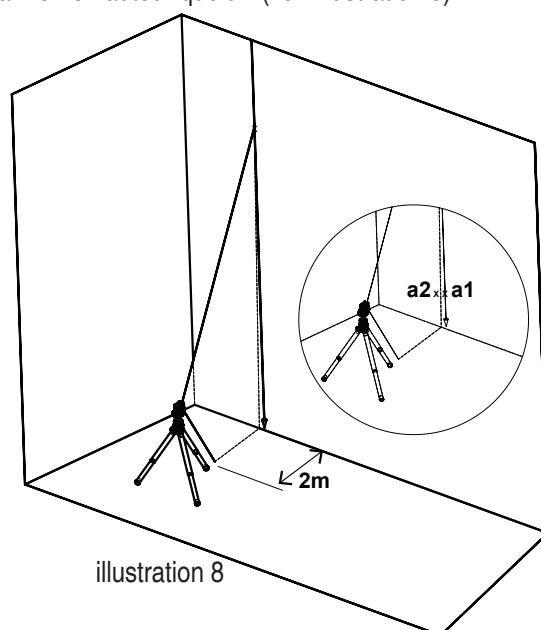


illustration 8

- 7) La distance entre **a1** et **a2** ne doit pas excéder 1 mm, dans le cas contraire, le niveau laser doit être examiné par un technicien agréé.



CARACTÉRISTIQUES

Sorties faisceaux laser	Lignes horizontale et verticale croisées Ligne horizontale Ligne verticale
Portée laser	<ul style="list-style-type: none">• Intérieur - 30 m (100 ft)• Extérieur avec détecteur 60 m (200 ft)
Précision	±0.2mm/m (±0.0002in/in)
Angle ventilateur	120° ±5°
Plage d'auto-nivellement	±3°
Largeur de ligne laser	2 mm (± 0,5mm) à 5 mètres
Longueur d'onde	520 ±10nm - Laser de classe 2
Alimentation	3 piles AA (fournies)
Autonomie	6 heures de fonctionnement continu
Température de service	-10° C + 45° C (14°F +113°F)
Température d'entreposage	-20° C +60° C (-4°F +140°F)
Résistance à l'eau et à la poussière	IP54
Dimensions	10cm x 8.2cm x10.4cm (3.9" x 3.2" x 4.1")
Poids avec piles	620gr±10gr (1.37lbs ±0.35oz)

GARANTIE

Ce produit est couvert par une garantie limitée de deux ans contre tous défauts de matériel et de fabrication.

Cette garantie ne couvre pas les produits utilisés de façon inappropriée, modifiés ou réparés sans le consentement de Kapro.

En cas de problème avec votre niveau laser, veuillez ramener le produit au lieu d'achat avec la preuve d'achat.

Modèle n° 872 GREEN Prolaser® Plus

L'étiquette de numéro de série se trouve à l'intérieur du compartiment à piles.



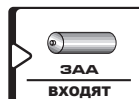
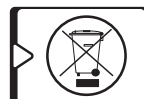
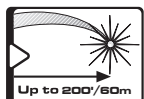
RU

Компания Карго благодарит вас за выбор 872 GREEN Prolaser® Plus. Теперь вам принадлежит один из самых передовых из существующих лазерных инструментов. Это руководство поможет вам эксплуатировать инструмент с максимальной эффективностью.

ОБЛАСТИ ПРИМЕНЕНИЯ

Инновационный лазерный уровень 872 GREEN Prolaser® Plus позволяет выполнять самые различные профессиональные и любительские работы, включая:

- облицовка плиткой, установка подвесных шкафов, бордюров и молдингов, поклейка обоев;
- разметка для установки дверей и окон, ступенек, перил, ворот, настилов и навесов;
- все работы, выполняемые своими руками, включая крепление полок, картин, штор и многое другое.



ПРИМЕЧАНИЕ Сохраните это руководство для последующего использования.

СОДЕРЖАНИЕ

• Функции	64
• Техника безопасности	65-66
• Установка батарей и безопасность	67-68
• Общий вид	69
• Инструкция по эксплуатации	70-72
• Обслуживание	73
• Полевая проверка калибровки	74-79
• Технические характеристики	80
• Гарантия	81



ФУНКЦИИ

- Этот лазерный инструмент автоматически выравнивается по горизонтальной и вертикальной плоскостям.
- Лазерный уровень проецирует перекрещенные горизонтальную и вертикальную линии.
- Автоматическое самовыравнивание в пределах диапазона самовыравнивания.
- Визуальный и звуковой сигнал для положения вне диапазона самовыравнивания.
- Максимальная рабочая дальность лазера с приемником - 60 м (200').
- Ручной режим для разметки под наклоном.
- Прочные регулируемые металлические складные ножки для установки прибора под углом и регулировки по высоте.
- Механизм блокировки для защиты маятника во время транспортировки.
- Резьба под штатив 1/4"
- Ударопрочный обрезиненый корпус.
- Компактный размер - помещается в ящике для инструментов.

ПРЕДУПРЕЖДЕНИЕ

Этот прибор содержит точные детали чувствительные к ударам, сотрясениям или падениям, которые могут нарушить его функциональность - обращайтесь с осторожностью для сохранения точности устройства.

ТЕХНИКА БЕЗОПАСНОСТИ

ПРЕДУПРЕЖДЕНИЕ

Этот прибор является источником излучения, которое относится к Классу II в соответствии со стандартом EN 60825 -1

Лазерное излучение может привести к серьезным повреждениям глаз



- Не допускайте попадания лазерного луча в глаза
- Не устанавливайте лазерный уровень так, чтобы он мог непреднамеренно ослеплять вас или других людей.
- Не используйте лазерный уровень вблизи детей и не позволяйте детям использовать лазерный уровень.
- Не допускайте попадания лазерного луча в глаза через увеличительные оптические устройства, такие как бинокль или телескоп, так как это повышает степень повреждения глаз.

⚠ ПРЕДУПРЕЖДЕНИЕ: Этот прибор содержит свинец в припое, также некоторые электрические части содержат химические вещества, которые известны в штате Калифорния как вызывающие рак, дефекты у новорождённых или другие нарушения репродуктивной функции.
(Кодекс Здоровья и Безопасности штата Калифорния, Раздел 25249.6 положение 65)



ЗАМЕТКА

Зеленые очки предназначены для повышения видимость лазерного луча. Они не защитят ваши глаза от лазерного излучения.

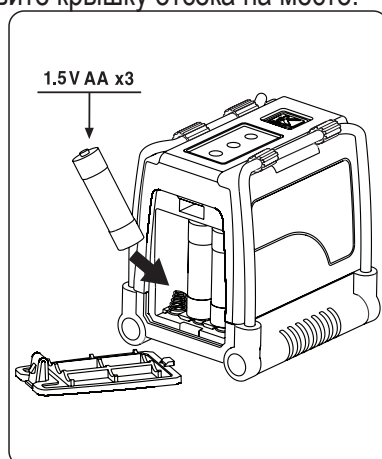
- Не удаляйте и не искажайте предупреждающие надписи на лазерном уровне.
- Не разбирайте лазерный уровень, лазерное излучение может привести к серьезным повреждениям глаз.
- Не роняйте лазерный уровень.
- Не используйте растворители для очистки лазерного уровня.
- Не используйте при температуре ниже -10°C или выше 45°C
- Не используйте лазер во взрывоопасных средах, таких как легковоспламеняющиеся жидкости, газы или пыль. Искра от прибора может вызвать возгорание.
- Когда устройство не используется, выключите питание, включите блокировку маятника и поместить устройство в чехол для переноски.
- Перед транспортировкой устройства убедитесь в том, что маятник заблокирован.

ЗАМЕТКА

Транспортировка без блокировки маятника может привести к внутренним механическим повреждениям устройства.

УСТАНОВКА БАТАРЕЙ И БЕЗОПАСНОСТЬ

1. Нажмите на защелку и снимите крышку батарейного отсека.
2. Вставьте 3 новые батарейки формата AA одной марки в соответствие со схемой полярности на внутренней части батарейного отсека.
3. Установите крышку отсека на место.



ЗАМЕТКА Если лазерный уровень не будет использоваться в течение длительного периода времени, выньте батарейки из батарейного отсека. Это предотвратит протекание батарей и коррозионные повреждения устройства.

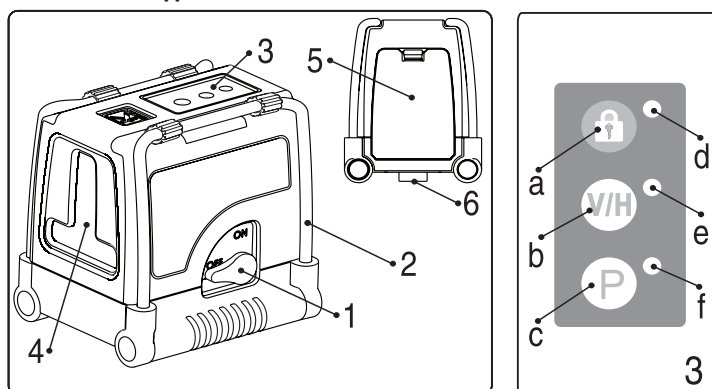


ПРЕДУПРЕЖДЕНИЕ: Батареи могут портиться, протекать или вздуться, что может привести к травмам или пожару.

1. Не закорачивайте клеммы батарей.
2. Не заряжайте щелочные батареи не предназначенные для повторной зарядки.
3. Не следует смешивать старые и новые батареи.
4. Не выбрасывайте батареи с бытовым мусором.
5. Не бросайте батареи в огонь.
6. Поврежденные или разряженные батареи должны быть утилизированы в соответствии с местными правилами.
7. Храните батареи в недоступном для детей месте.

ОБЩИЙ ВИД

1. Выключатель
2. Металлические ножки
3. Клавиатура
 - a. Ручной режим
 - b. Переключатель режимов работы
 - c. Импульсный режим
 - d. Индикатор ручного режима
 - e. Индикатор лазерного луча
 - f. Индикатор импульсного режима
(для работы с приёмником)
4. Окно лазерного проектора
5. Крышка отсека батареек
6. Резьба под штатив на $\frac{1}{4}$ "



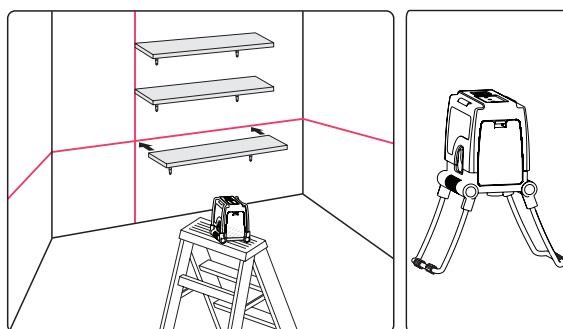


ИНСТРУКЦИЯ ПО ЭКСПЛУАТАЦИИ

Работа в автоматическом режиме (самовыравнивание):

В автоматическом режиме лазерный уровень самовыравнивается в диапазоне $\pm 3^\circ$ и может проецировать горизонтальную или вертикальную линию или обе линии одновременно.

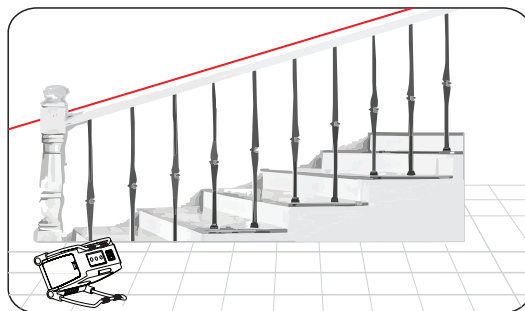
1. Извлеките лазер из чехла и поместите его на твердую плоскую поверхность, свободную от вибраций или на штатив.
2. Поверните выключатель # 1 по часовой стрелке в положение **ON**, лазерный уровень начнёт проецировать перекрещенные горизонтальную и вертикальную линии, зеленый индикатор рядом с кнопкой **V/H** начнёт светиться.
3. Выберите нужные для работы линии нажатием кнопки **V/H**
4. Используйте регулируемые металлические ножки # 2 для регулировки высоты горизонтальной линии.
5. Если наклон лазерного уровня более $\pm 3^\circ$ при автоматическом режиме работы, лазерные линии начнут мигать и прибор будет подавать звуковой сигнал о положении вне диапазона самовыравнивания. В таком случае установите прибор на более ровную поверхность.
6. Перед перемещением лазерного уровня поверните выключатель # 1 в положение **OFF**, это активирует блокировку маятника и защитит ваш лазерный уровень.



Работа в ручном режиме:

В ручном режиме механизм самовыравнивания отключен и лазерные линии могут быть установлены под любым требуемым углом.

1. Нажмите кнопку "Ручной режим" . Лазерный уровень начнёт проецировать перекрещенные линии, красный индикатор рядом с кнопкой "Ручной режим" загорится, также загорится зеленый индикатор лазерных лучей рядом с кнопкой **V/H**.
2. Выберите требуемые линии нажатием кнопки "Выбор Луча" **V/H**.
3. Для получения необходимого угла наклона и высоты линий отрегулируйте положение прибора с помощью складных ножек.
4. Чтобы выключить прибор, снова нажмите кнопку "Ручной режим" .
5. Если во время работы в ручном режиме повернуть выключатель # 1 из положения ВЫКЛ в положение ВКЛ, ручной режим работы отключится и красный индикатор рядом с кнопкой "Ручной режим" погаснет, будет активирован автоматический режим работы и прибор начнёт самовыравниваться (при условии положения уровня в пределах диапазона самовыравнивания).



Работа в импульсном режиме с детектором:

Для наружных работ под прямым солнечным светом или в условиях яркого освещения а также для увеличения рабочей дистанции в помещении до 60 метров, используйте импульсный режим с детектором. При активированном импульсном режиме проецируемые лазерные линии мигают с очень высокой частотой (неуловимой для человеческого глаза), что позволяет обнаруживать их с помощью детектора.

1. Импульсный режим может быть активирован как в автоматическом так и в ручном режиме работы.
2. Для включения импульсного режима нажмите на кнопку **P**, зеленый индикатор рядом с кнопкой **P** загорится.
3. При активированном импульсном режиме видимая яркость проецируемых лазерных линий немного снижается.
4. Для выключения импульсного режима нажмите кнопку **P** еще раз, зеленый индикатор рядом с кнопкой **P** погаснет.

ОБСЛУЖИВАНИЕ

Для сохранения точности в вашей работе, регулярно проверяйте калибровку вашего лазерного уровня в соответствии с процедурой проверки калибровки в полевых условиях.

- Замените батареи, если лазерные лучи начинают тускнеть.
- Очищайте окошки лазеров и корпус уровня чистой мягкой тканью. Не используйте растворители.
- Хотя лазерный уровень в некоторой степени устойчив к пыли и грязи, не храните его в запыленных местах, долгосрочное загрязнение может привести к повреждению внутренних подвижных частей.
- Если лазерный уровень подвергся воздействию воды, высушите его перед возвращением его в чехол чтобы предотвратить коррозию.
- Извлеките батарейки, если лазерный уровень не используется в течение длительного периода времени, чтобы предотвратить повреждения от коррозии в случае протечки батареек.

Ремонт

Смотрите раздел о гарантии в конце данного руководства.

- Не разбирайте ProLaser 872G самостоятельно и не позволяйте неквалифицированному работнику разбирать лазерный уровень.
- Ремонтируйте измерительный прибор только с помощью квалифицированного технического специалиста и с использованием оригинальных запасных частей.
- Неквалифицированное обслуживание может привести к травмам глаз и непоправимым повреждениям лазерного уровня, а также аннулирует гарантию.



ПОЛЕВАЯ ПРОВЕРКА КАЛИБРОВКИ

Завод-изготовитель поставляет лазерные уровни в полностью откалиброванном виде. Компания Карго рекомендует проверять уровень на регулярной основе, а также после каждого падения или нарушения правил эксплуатации инструмента. Для этого необходимо сначала проверить калибровку горизонтальной линии по высоте, затем проверить точность выравнивания горизонтальной линии, и наконец проверить точность выравнивания вертикальной линии.

Проверка калибровки горизонтальной линии по высоте. (разница высоты линии на ближней и дальней цели)

- 1) Установите лазер на штатив или на твердую поверхность между двумя стенами **A** и **B**, находящимися приблизительно в 5 м друг от друга.
- 2) Установите лазерный уровень примерно в 0,5 м от стены **A**
- 3) Разблокируйте маятник и выберите проекцию перекрещенных горизонтальной и вертикальной линий на стену **A**.
- 4) Отметьте на стене **A** точку пересечения линий как **a1** (см. рис. № 1).

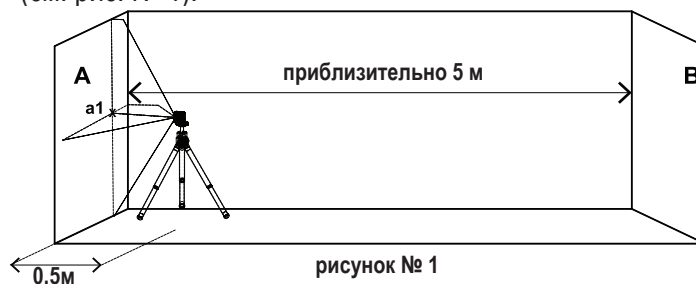


рисунок № 1

- 5) Поверните лазер на 180° в сторону стены **B** и отметьте на ней точку пересечения линий как **b1** (см. рис. № 2).

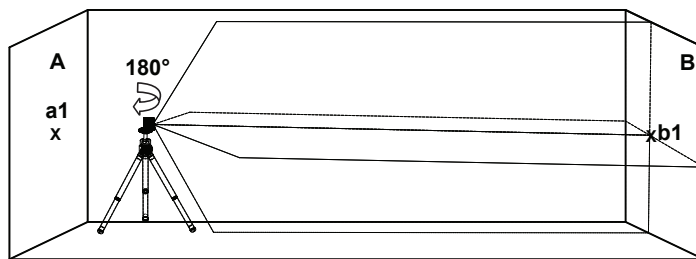


рисунок № 2

- 6) Переместите лазерный уровень и установите его примерно в 0,5 м от стены **B**.
7) Отметить на стене **B** точку пересечения линий как **b2** (см. рис. № 3).



рисунок № 3



- 8) Разверните уровень на 180° в сторону стены **A** и отметьте на стене **A** точку пересечения линий как **a2** (см. рис. № 4).

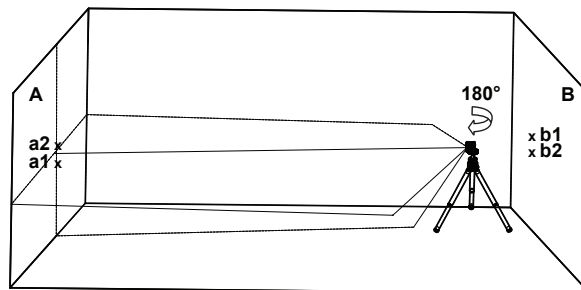


рисунок № 4

- 9) Измерьте расстояния:

$$\Delta a = |a2 - a1|$$

$$\Delta b = |b1 - b2|$$

- 10) Разность $|\Delta a - \Delta b|$ не должна превышать 2 мм, в противном случае отправьте лазерный уровень к квалифицированному специалисту для калибровки.

**Проверка точности выравнивания горизонтальной линии.
(Разница высот правого и левого конца линии)**

- 1) Установите лазер на штатив или на твердую поверхность на расстоянии примерно 1,5 м от стены, ширина которой примерно 5 м.
- 2) Разблокируйте маятник и выберите проекцию перекрещенных горизонтальной и вертикальной линий на стену.

- 3) Отметьте точку **a1** на стене на левом конце горизонтальной линии (см. рис. № 5).

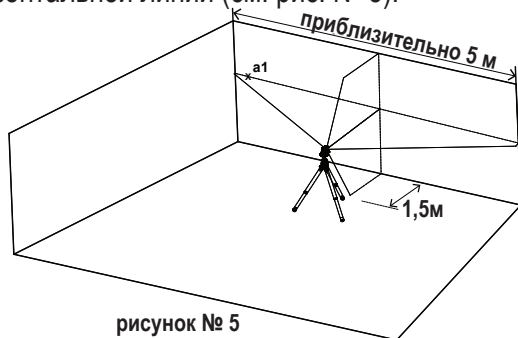


рисунок № 5

- 4) Разверните лазерный уровень против часовой стрелки так, чтобы правый конец горизонтальной линии оказался вблизи точки **a1**, отметьте точку **a2** на стене (см. рис. № 6).

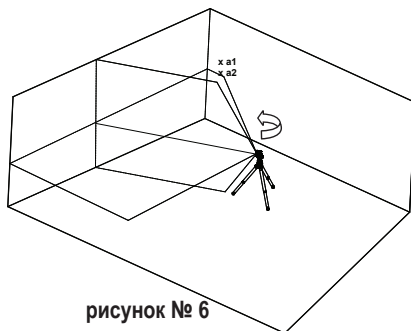


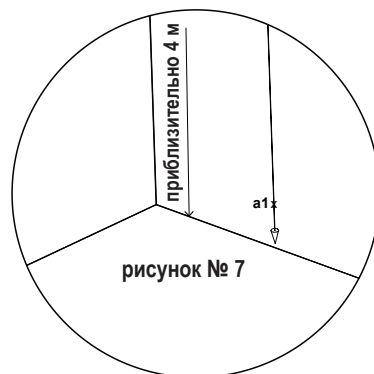
рисунок № 6



- 5) Расстояние по вертикали между точками **a1** и **a2**, не должно превышать 1 мм, в противном случае отправьте лазерный уровень квалифицированному технику на калибровку.

Проверка точности вертикальной линии.

- 1) Подвесить отвес приблизительно 4 метра длиной вплотную к стене.
- 2) После того, как отвес стабилизируется, отметьте точку **a1** на стене по линии отвеса вблизи грузила. (см. рис. № 7).



- 3) Установите лазер на штатив или на твердую поверхность на расстоянии около 2 метров перед стеной.
- 4) Разблокируйте маятник, и выберите проекцию вертикальной линии в направлении отвеса.
- 5) Поверните уровень так, чтобы вертикальная линия совпала с отвесом в верхней его части.

- 6) Отметьте точку **a2** на стене на той же высоте, что и **a1**.
(см. рис. № 8).

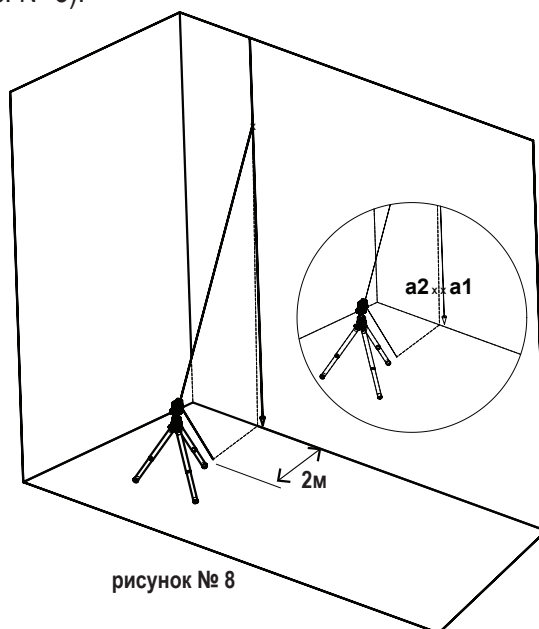


рисунок № 8

- 7) Расстояние по горизонтали между **a1** и **a2**, не должно превышать 1мм, в противном случае отправьте лазерный уровень квалифицированному технику на калибровку.



ТЕХНИЧЕСКИЕ ХАРАКТЕРИСТИКИ

Проецируемые лазерные линии	<ul style="list-style-type: none">• Перекрещенные вертикальная и горизонтальная линии• Горизонтальная линия• Вертикальная линия
Максимальная дальность	<ul style="list-style-type: none">• В помещении: 30 м• Вне помещения: 60 м (с приемником)
Погрешность	0,2 мм/м (0.0002in/in)
Угол развертки луча	120° ±5°
Диапазон самовыравнивания	±3°
Ширина лазерного луча	2 мм ±0,5 мм на расстоянии 5 м
Длина волны	520 ±10 нм Класс лазера: II
Питание	3 батарейки формата AA (входят в комплект)
Ресурс батареек	6 часов непрерывной работы
Рабочая температура	От -10 °С до 45 °С
Температура хранения	От -20° С - 60° С
Степень защиты от попадания воды и пыли	IP54
Габаритные размеры	10 см x 8,2 см x 10,4 см
Масса с батарейками	620 г ±10 г

ГАРАНТИЯ

На изделие распространяется двухлетняя гарантия отсутствия дефектов материалов и изготовления. Нарушения правил эксплуатации, изменения конструкции или самостоятельный ремонт приводят к аннулированию гарантии.

При появлении проблем с приобретенным лазерным уровнем, верните его в место покупки, приложив подтверждение покупки.

Модель: № 872 GREEN

Наклейка с серийным номером расположена внутри отсека батареек.



.....

.....

.....

.....

.....

.....

.....

.....

.....

.....



.....

.....

.....

.....

.....

.....

.....

.....

.....

.....





© 10/2016 Kaprow Industries Ltd.